

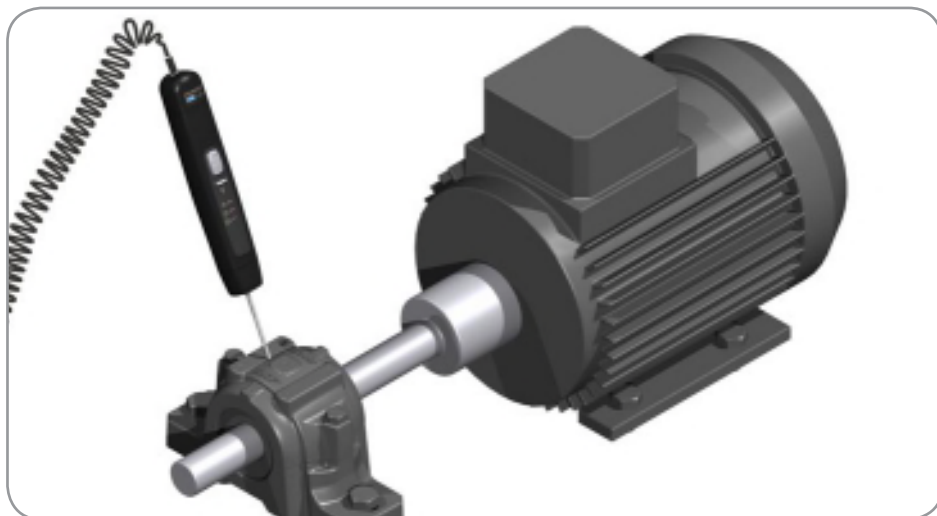
# Electronic stethoscope TMST 3

## Easily pinpoints bearing and machine noise

The SKF TMST 3 is a high quality, sensitive instrument enabling the determination of troublesome machine parts by the detection of machine noises or vibrations. TMST 3 includes a headset, two different length probes (70 and 220 mm) and a pre recorded audio CD demonstrating the most common encountered troublesome machine noise, all supplied complete in a sturdy carrying case.



- Excellent sound quality helps to reliably identify the possible cause of the noise
- User friendly and easy to operate, no special training required
- Lightweight ergonomic design makes it easy to operate with one hand
- Excellent quality headset for optimum sound quality even in very high-noise environments
- Pre-recorded demonstration CD and output for analogue recording help facilitate analysis and comparison
- Supplied with two probes, 70 and 220 mm (2,8 and 8,7 in) enabling reach almost anywhere
- Adjustable digital volume control up to 32 levels to reach desired volume



Basic condition monitoring



## Technical data

<b>Designation</b>	<b>TMST 3</b>
<b>Description</b>	Electronic stethoscope
<b>Frequency range</b>	30 Hz-15kHz
<b>Operating temperature</b>	- 10 to + 45° C (14-113° F)
<b>Output volume</b>	Adjustable in 32 levels
<b>Led indicator</b>	Power on Sound volume Battery low
<b>Maximum recorder output</b>	250 mV
<b>Headset</b>	48 Ohm (with ear defender)
<b>Auto switch off</b>	Yes, after 2 min
<b>Battery</b>	4 x AAA/R03 (included)
<b>Battery lifetime</b>	30 hours (continuous use)
<b>Dimensions handset</b>	220 x 40 x 40 mm (8,6 x 1,6 x 1,6 in)
<b>Probe length</b>	70 and 220 mm (2,8 and 8,7 in)
<b>Weight</b>	
Total weight	1 560 g (3,4 lb)
Instrument	162 g (0,35 lb)
Headset	250 g (0,55 lb)

© SKF is a registered trademark of the SKF Group  
© SKF Group 2009

The contents of this publication are the copyright of the publisher and may not be reproduced (even extracts) unless prior written permission is granted. Every care has been taken to ensure the accuracy of the information contained in this publication but no liability can be accepted for any loss or damage whether direct, indirect or consequential arising out of the use of the information contained herein.

MP/PDS TMST3 EN • October 2009

[www.mapro.skf.com](http://www.mapro.skf.com) • [skf.com/mount](http://skf.com/mount) • [skf.com/lubrication](http://skf.com/lubrication)

